



TCS TCX

portion hopper

400 600

Versatile

Maximum production for intensive use



The Mixer TCS and TCX portion hopper series joins the range of industrial mixers and trolley lifters for dividers on moulding lines. Lifter and portion hopper both optimize production lines and offer significant improvements in efficiency ratings.

AVAILABLE VERSIONS

- TCS** “rolling” portioning hopper activated by a pneumatic cylinder controlled by a photocell;
perfect for direct unloading of medium-soft dough onto divider or moulder
- TCX** pre-portioning hopper with a teflon coated stainless steel “star” cutting device controlled by a photocell;
suitable for dosing of medium-soft dough for loading onto small hoppers or conveyor belts.



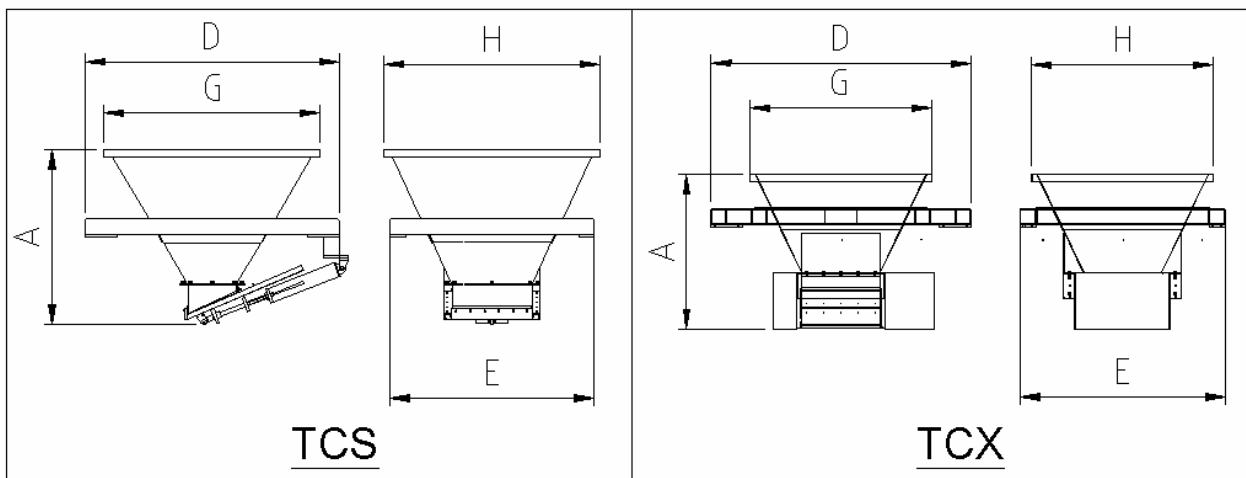
ROLLING TCS



STAR TCX



TCS - TCX PRE PORTIONING HOPPER TECHNICAL FEATURES



* Specify the recipe of dough at the moment of request of the offer or of the order.

Model		TCS		TCX	
		400	600	400	600
Dough capacity	Kg	440	660	440	660
Hopper volume	Lt	400	600	400	600
Height of complete hopper	A mm	1025	1132	950	1180
Hopper width	G mm	1600	1400	1155	1300
Hopper depth	E mm	1250	1300	1300	1300
Frame width	D mm	1615	1615	1650	1650
Frame depth	H mm	1250	1300	1155	1300
Pressure of exercise	Bar	6		-	
Air quantity	Lt./min.	30		-	
Power of motor	KW	-		0.75	
Input current of belt motor V 230	A	-		3.4	
Input current of belt motor V400	A	-		2	
Net weight	Kg	680	850	850	1050

(*)Different measures on request

SUPPLIED STANDARD EQUIPMENT

Pickled AISI 304 stainless steel hopper and blade	Internal teflon coating of the hopper and of portioning blade
Structure made of ral 9007 grey coated steel for TCS and TCX	Photocell of dough level on discharge point
Driving gear of portioning blade by pneumatic cylinder for TCS model	Tension 400V - Frequency 50Hz - 3 phases Four meters of cable with CEE plug
Driving gear of star portioning blade by motor for TCX model	Operating/Maintenance instructions and CE statement of compliance
Scrapers and blade slides made of special plastic material for food contact for TCS model	Pallet packaging with nylon

OPTIONAL EXTRA EQUIPMENT

Support frame complete of shelter for inspection/cleaning	Wooden crate
Dough level photocell in the hopper for consent of lifter-dumper unloading	